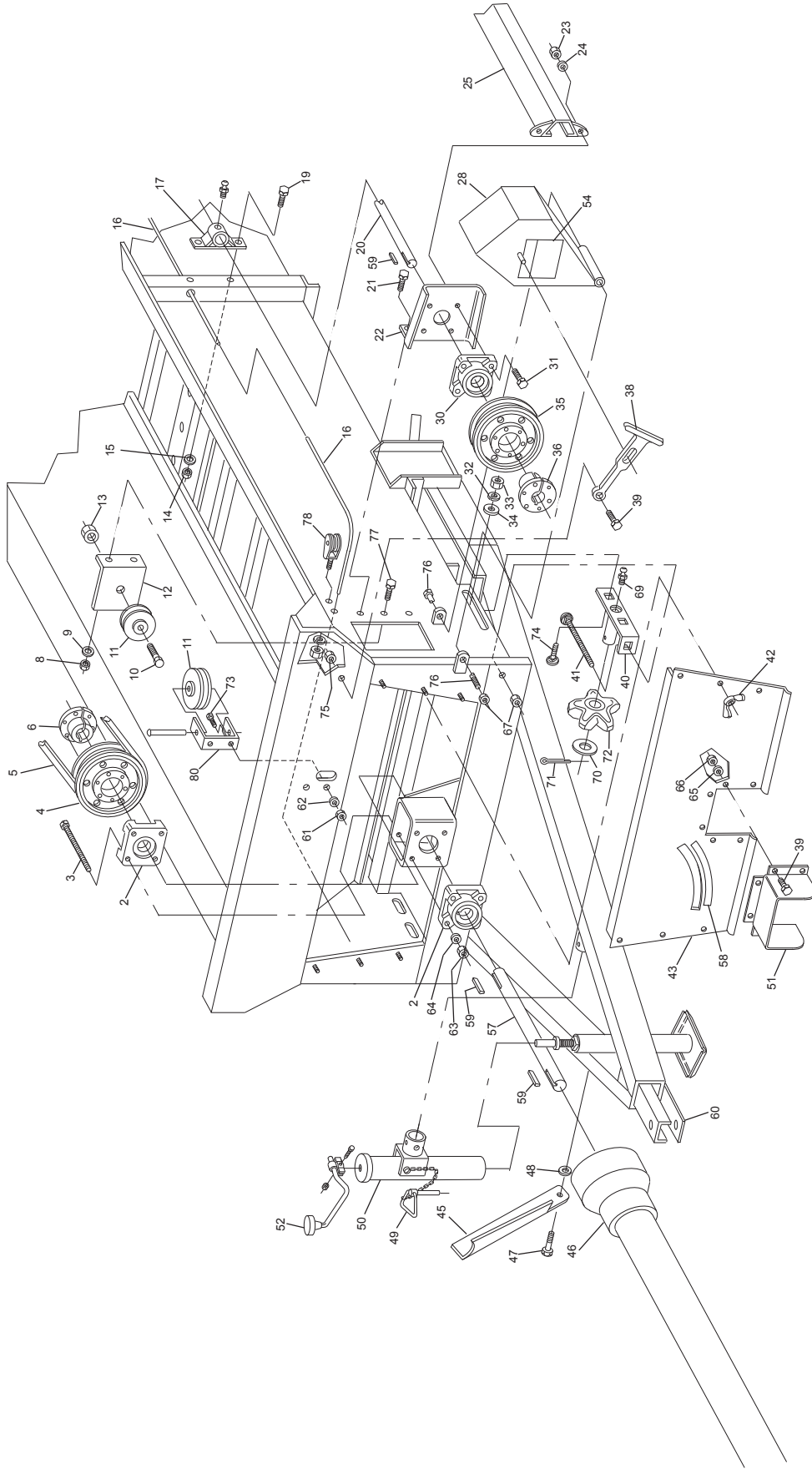


175P Front End

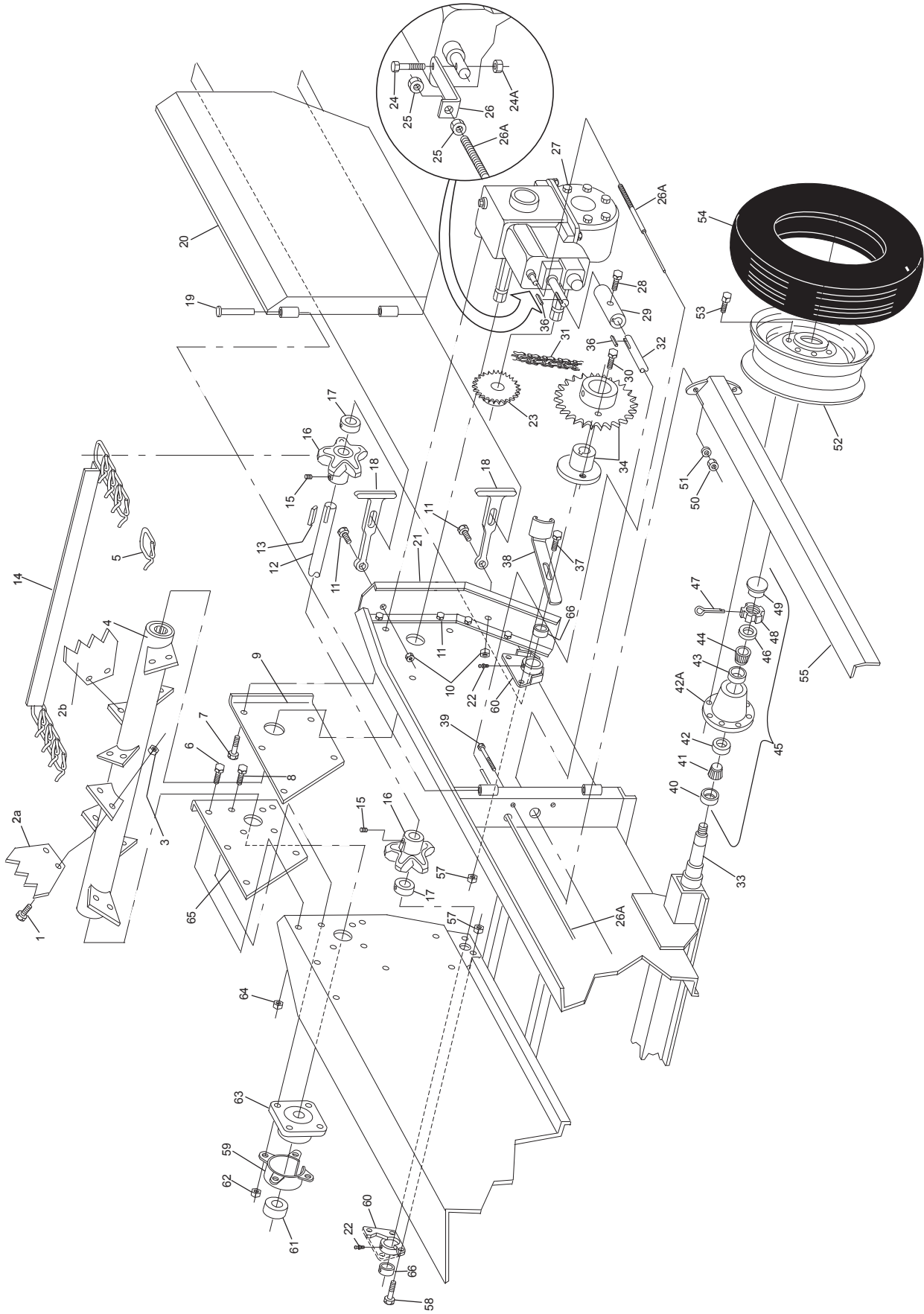


175P Front End

Ref#	Description	Part#
2	4-Hole Flange Bearing	400104
3	Bolt, 7/16 x 3-1/2	000361
4	Front Pulley	401553
5	Belt, CX-97	401605
6	Pulley Hub	400801
8	Nut, 1/2	000940
9	Lock Washer, 1/2	000840
10	Bolt, 5/8 x 2-1/2	000620
11	Idler Pulley	400103
12	Mounting Bracket, Idler Pulley	400067
13	Locknut, 5/8	000972
14	Nut, 3/8	000915
15	Lock Washer, 3/8	000820
16	Shifter Cable	401450
17	Pillow Block Bearing	401690
19	Bolt, 3/8 x 1	000270
20	Drive Shaft	401564
21	Bolt, 1/2 x 1	000405
22	Mounting Bracket, Side Pulley	400785
23	Nut, 1/2	000940
24	Lock Washer, 1/2	000840
25	Drive Shaft Shield	401551
28	Side Pulley Shield	401591
30	4-Bolt Flange Bearing	400798
31	Bolt, 1/2 x 1-1/2	000435
32	Lock Washer, 1/2	000840
33	Nut, 1/2	000940
34	Flat Washer, 1/2	001055
35	Side Pulley	401572
36	Pulley Hub	400797
38	Rubber T-Handle	400092
39	Machine Screw, 5/16 x 3/4	000210
40	Web Idler Bracket	401079

Ref#	Description	Part#
41	Carriage Bolt, 3/8 x 7	000140
42	Wing Nut, 1/4	000905
43	Front Lid	401592
45	PTO Stand	
46	Complete PTO Shaft	400715
47	Bolt, 3/8 x 1	000270
48	Flat Washer, 3/8	001035
49	Pin & Chain	500012
50	Complete Jack	500009
51	PTO Guard	400795
52	Jack Handle w/ Bolt	500010
54	Warning Decal	400178
57	Jack Shaft	400792
58	Locator Decal	400820
59	Key, 1/4 x 1/4 x 1-1/4	400115
60	Clevis Coupler	401543
61	Nut, 3/8	000915
62	Lock Washer, 3/8	000820
63	Nut, 7/16	000935
64	Lock Washer, 7/16	000830
65	Lockwasher, 5/16	000810
66	Nut, 5/16	000910
67	Locknut, 3/8	003000
69	Grease Fitting	400117
70	Machinery Bushing	400148
71	Cotter Pin, 5/32 x 1-1/2	001215
72	Front Web Sprocket	400098
73	Bolt, 3/8 x 1	000270
74	Carriage Bolt, 1/2 x 1-1/2	000155
75	Nut, 5/16	000910
76	Bolt, 3/8 x 7-1/2	000340
77	Bolt, 1/2 x 1-1/4	000420
78	Cable Pulley	400805
80	Rope Pulley Bracket	400778

175P Rear

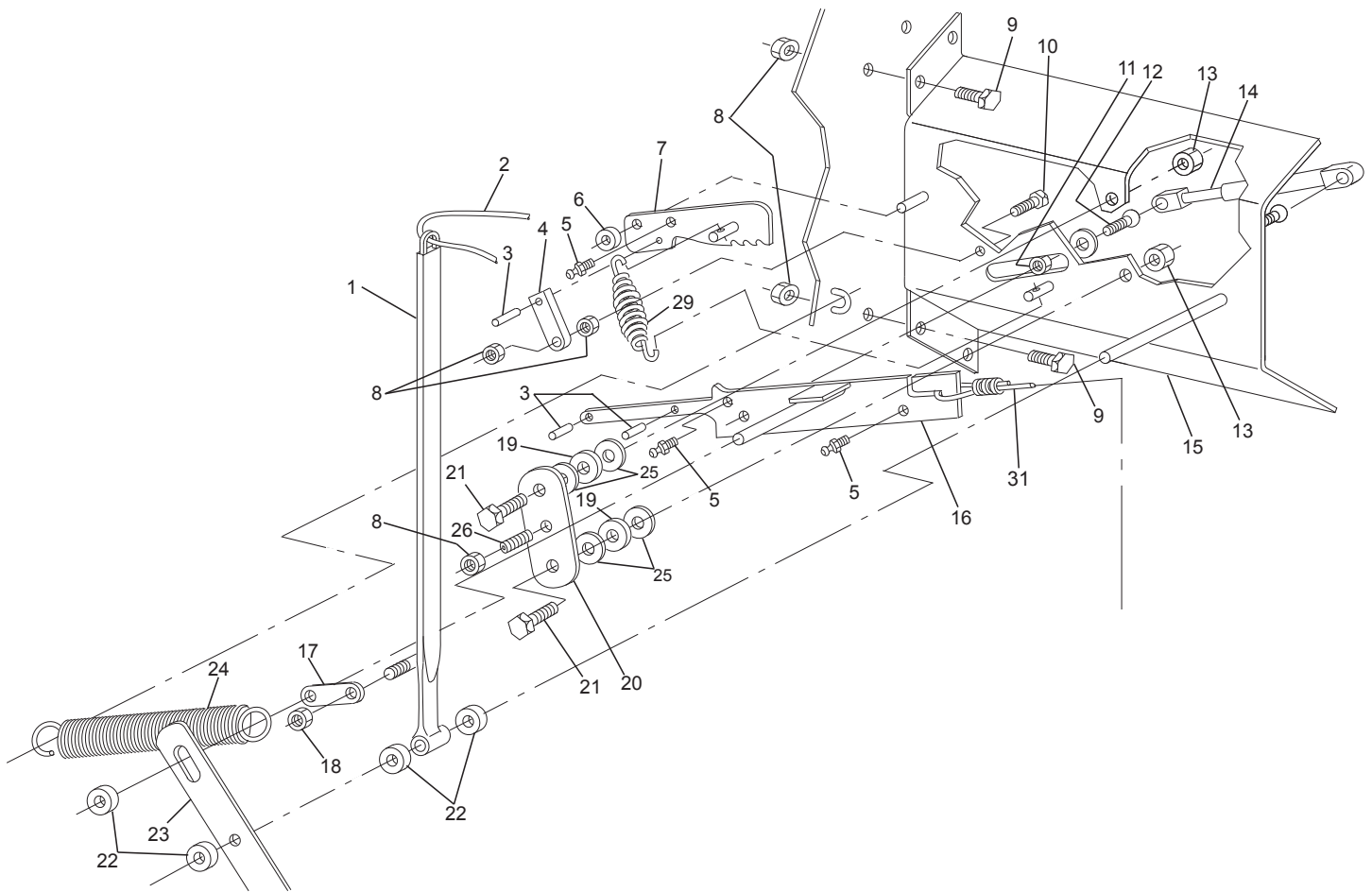


175P Rear

Ref#	Description	Part#
1	Bolt, 1/2 x 1	000405
2a	Beater Paddle, Right	401571
2b	Beater Paddle, Left	400790
3	Nut, 1/2	000940
4	Widespread Beater Assembly	401546
5	T-Rod Link	400086
6	Bolt, 3/8 x 7/8	000250
7	Bolt, M12 x 30	002530
8	Bolt, 5/8 x 2-1/2	000620
9	Beater Bearing Bracket, Left	400691
10	Nut, 5/16	000910
11	Machine Screw, 5/16 x 3/4	000210
12	Web Shaft	401554
13	Key, 1/4 x 1/4 x 2	400857
14	Web Slat Assembly	401562
15	Set Screw, 1/2 x 5/8	001150
16	Web Sprocket, Rear	400944
17	1 1/4" Shaft Collar	401476
18	Rubber T-Handle	400092
19	Hinge Pin	401523
20	Gearbox Shield	401586
21	Inner Gearbox Shield	401587
22	Grease Fitting	400118
23	Web Chain Drive Sprocket	400807
24	Bolt, 1/4 x 1-1/2	000185
24a	Nut, 1/4	000900
25	Nut, 5/16	000910
26	Shifter Cable Bracket	401348
26a	Shifter Cable	401540
27	2-speed Main Gearbox	400100
28	Bolt, 5/16 x 2-1/2	000195
29	Drive Shaft Coupler	400803
30	Shear Bolt, 5/16 x 1	000220
31	Drive Chain, Web (#60)	400809

Ref#	Description	Part#
32	Drive Shaft	401564
33	Rear Spindle	400667
34	Shear Sprocket	400808
35	Key, Shear Sprocket	400817
36	Key, Coupler, 5/16 x 2	400816
37	Bolt, 1/2 x 1-1/4	000420
38	Idler, Web Chain Drive	400712
39	Bolt, 3/8 x 1	000270
40	Inner Seal	300500
41	Inner Bearing	300553
42	Inner Race	300551
42a	Hub Only	300550
43	Outer Race	300552
44	Outer Bearing	300554
45	Complete Hub	300549
46	Spindle Washer	300283
47	Cotter Pin, 5/32 x 1-1/4	300282
48	Castle Nut	300281
49	Hub Cap	300555
50	Nut, 3/8	000915
51	Lock Washer, 3/8	000820
52	16 x 8 8-Bolt Yellow Rim	300311
53	Lug Bolt	300556
54	Tire, 10.00 - 16 F2M 8 Ply	401673
55	Drive Shaft Shield	401551
57	Nut, 1/2	000940
58	Bolt, 1/2 x 1	000405
59	Widespread Shaft Shield	401329
60	Web Bearing Assembly	400694
61	Shaft Collar, 1-1/2"	100936
62	Nut, 5/8	000970
63	Flange Bearing	400810
64	Nut, 3/8	000915
65	Beater Bearing Bracket, Right	400688

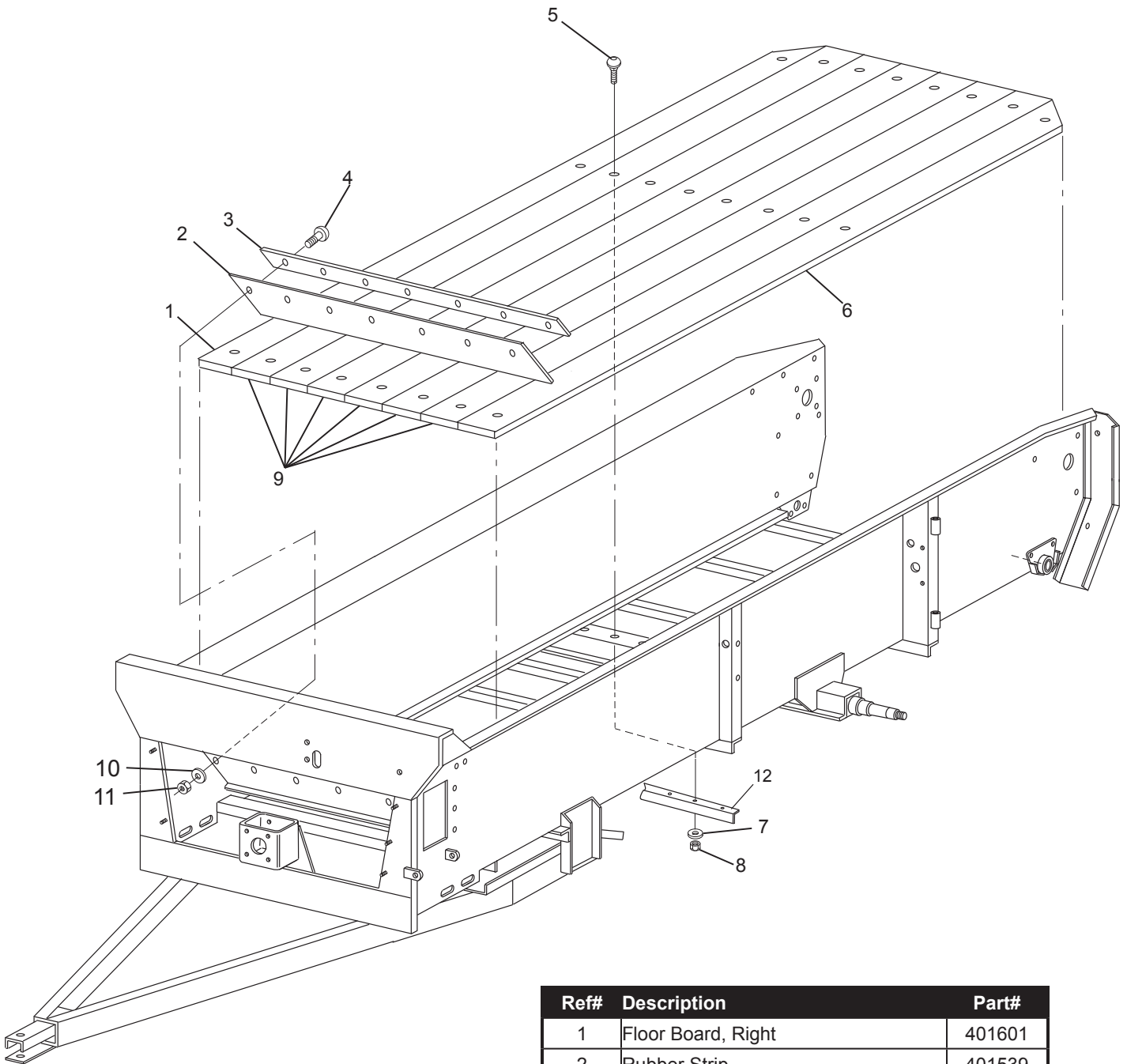
175P Shifter



Ref#	Description	Part#
1	Control Arm Assembly	400746
2	Gear Shifter Rope	400806
3	Roll Pin, 1/4" x 5/8"	400755
4	Lifter Arm	400760
5	Grease Fitting	400118
6	3/8" Shaft Collar	400776
7	Gear Locating Assembly	400756
8	Nut, 3/8	000915
9	Bolt, 3/8 x 1-1/4	000275
10	Bolt, 3/8 x 1-1/2	000280
11	Nut, 5/16	000910
12	Ball Stud	401013
13	Nut, 1/2	000940
14	Gas Spring	400764

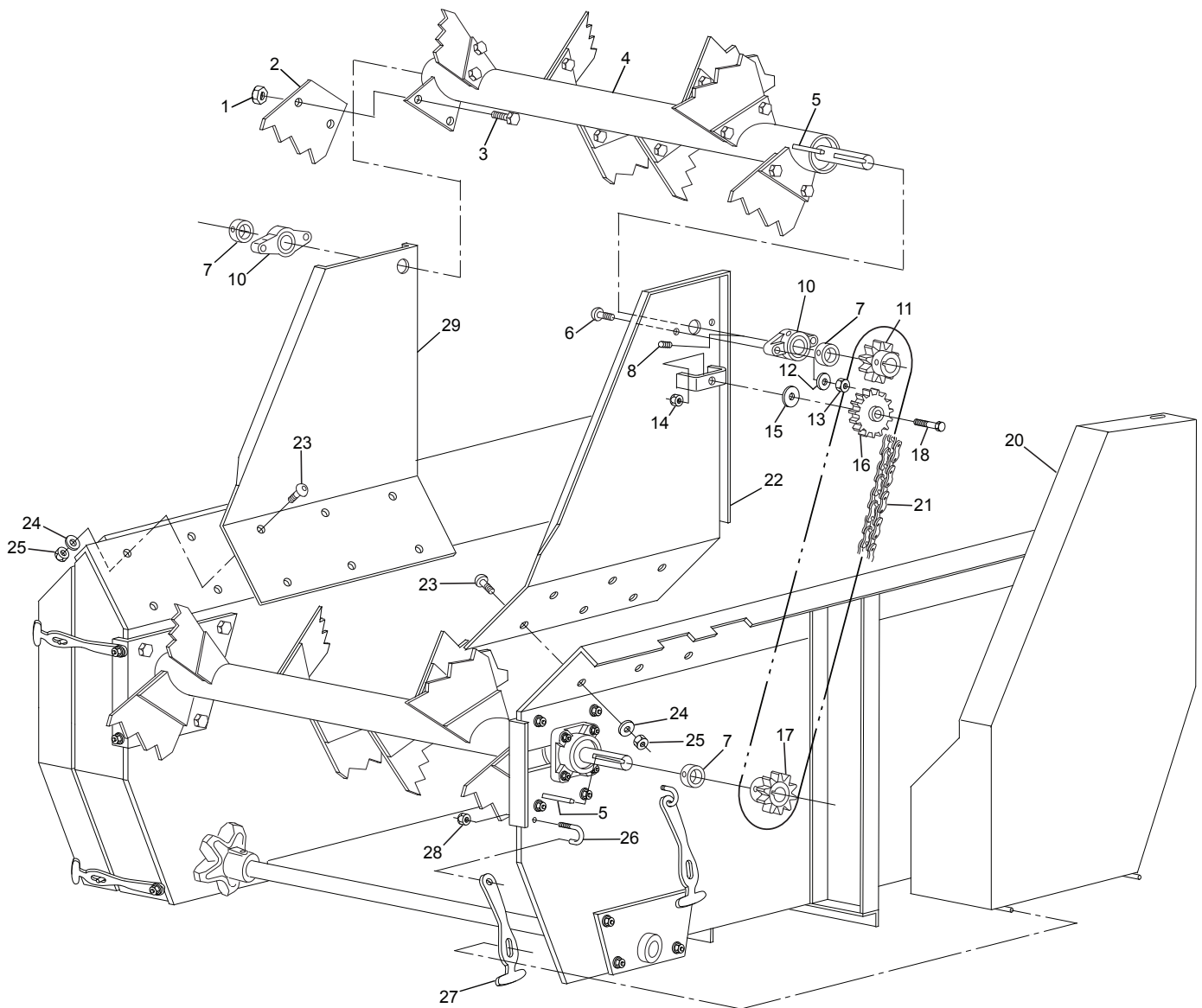
Ref#	Description	Part#
15	Shifter Mounting Plate	401010
16	Shift Arm Assembly	400751
17	Shifter Linkage	400762
18	Locknut, 3/8	003000
19	Bearing, Shifter Arm	400765
20	Guide Plate	400761
21	Bolt, 1/2 x 2-1/4	000455
22	1/2" Shaft Collar	400777
23	Indicator	400763
24	Extension Spring	400404
25	Flat Washer, 3/8	001035
26	Set Screw, 3/8 x 1	400766
29	Extension Spring	400116
31	Shifter Cable	401540

175P Floor



Ref#	Description	Part#
1	Floor Board, Right	401601
2	Rubber Strip	401539
3	Rubber Holder	401520
4	Bolt, 5/16 x 1	000220
5	Carriage Bolt, 3/8 x 1-3/4	000130
6	Floor Board, Left	401600
7	Lock Washer, 3/8	000820
8	Nut, 3/8	000915
9	Floor Board, Main	401599
10	Flat Washer, 5/16	001030
11	Locknut, 5/16	002999
12	Floating Floor Hold Down Plate	401641

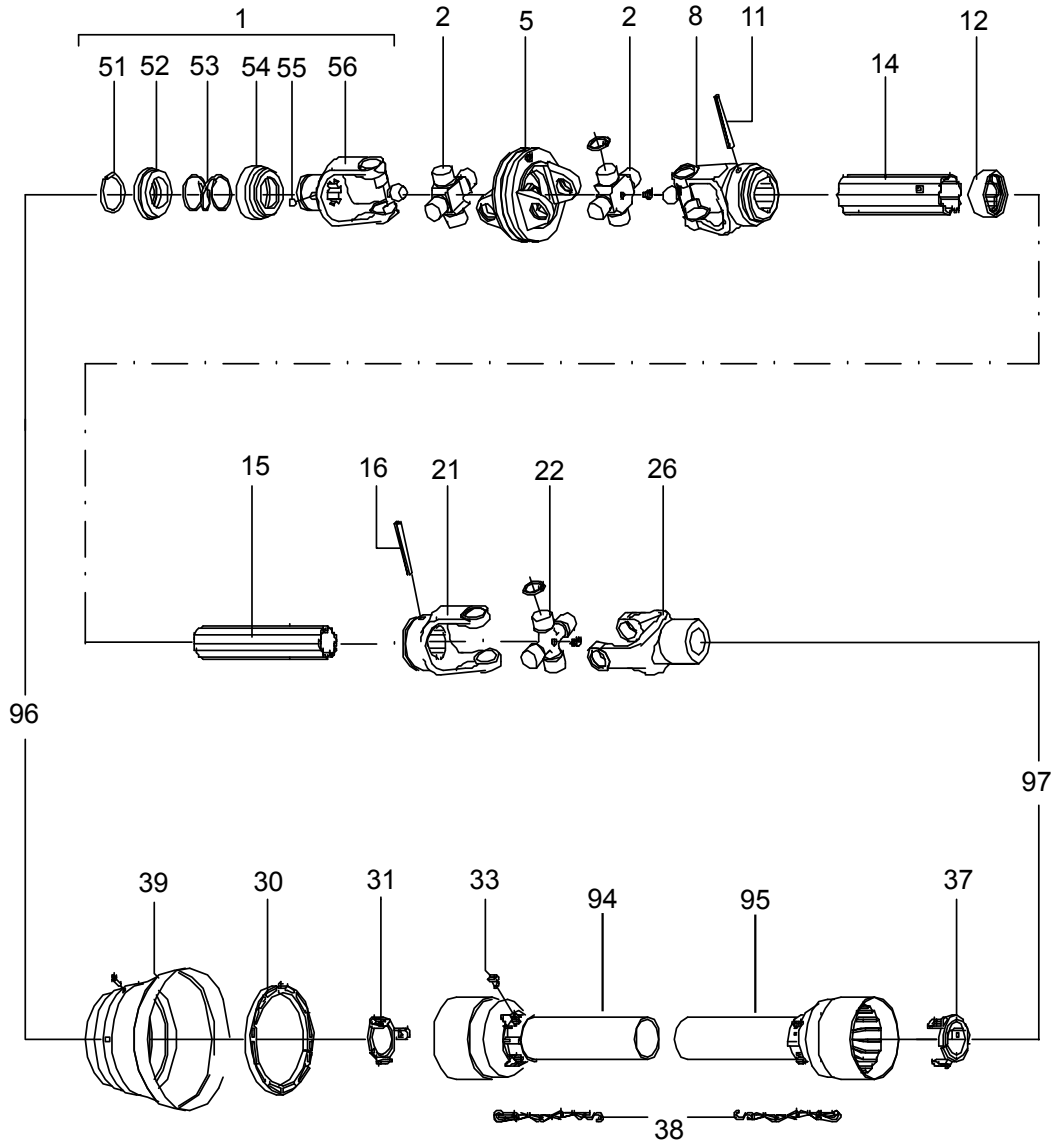
175P Top Beater



Ref#	Description	Part#
1	Nut, 3/8	000915
2	Beater Paddle	400858
3	Bolt, 3/8 x 7/8	000250
4	Top Beater Assembly	401617
5	Key, 1/4 x 1/4 x 1-1/4	400115
6	3/8" x 1 1/4" Hex Head Bolt	000275
7	Shaft Collar	400144
10	Flange Bearing	400855
11	Beater Sprocket	400105
12	Lock Washer, 1/2	000840
13	Nut, 1/2	000940
14	Nylon Jam Nut, 1/2	000752
15	Flat Washer, 1/2	001055

Ref#	Description	Part#
16	Idler Sprocket	400399
17	Beater Sprocket	400400
18	Bolt, 1/2 x 1-3/4	000445
20	Top Beater Shield	401616
21	Drive Chain	400854
22	Mounting Bracket, Right	401615
23	Bolt, 3/8 x 7/8	000250
24	Lock Washer 3/8	000820
25	Nut, 3/8	000915
26	T-Handle Mount	400844
27	Rubber T-Handle	400092
28	Nut, 3/8	000915
29	Mounting Bracket, Left	401612

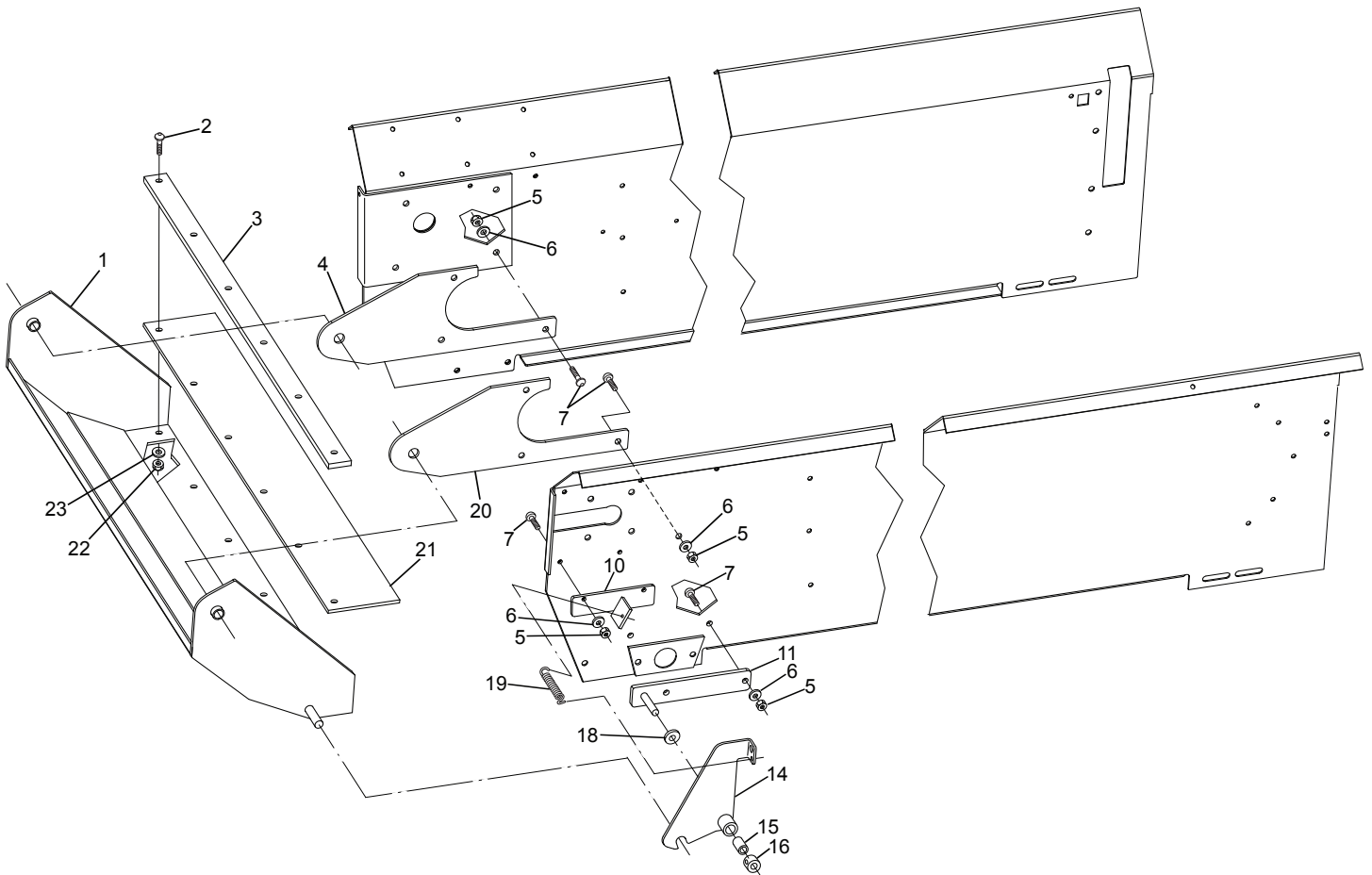
175P PTO Shaft



Ref#	Description	Part#
1	Collar Yoke for CV-Joint	400717
2	Cross Journal Set	400718
5	Double Yoke	400719
8	Outer Yoke	400720
11	Roll Pin, Outer Tube	400722
12	Wiper	400725
14	Outer Tube	400721
15	Inner Tube	400739
16	Roll Pin, Inner Tube	400741
21	Inner Yoke	400738
22	Cross Journal Set	400737
26	Implement Yoke	400736
30	Shield Bearing	400723
31	Outer Shield Bearing	400726

Ref#	Description	Part#
33	PTO Shield Screw	400730
37	Inner Shield Bearing	400742
38	Safety Chain	400729
39	CV Shield w/ Bearing	400767
51	Outer Clip	400727
52	Sliding Sleeve Collar	400728
53	Spring	400731
54	Fixed Sleeve	400732
55	Ball, 1/2"	400743
56	Yoke, CV-Joint	400744
94	Female Half Guard	400724
95	Male Half Guard	400740
96	PTO Shaft, Front Half	400716
97	PTO Shaft, Rear half	400735

175P Fine Spread Pan



Ref#	Description	Part#
1	Fine Spread Pan	401633
2	Bolt, 5/16 x 1	000221
3	Rubber Holder	401520
4	Mounting Bracket, Left	400823
5	Nut, 3/8	000915
6	Lock Washer, 3/8	000820
7	Bolt, 3/8 x 1	000270
10	Latch Stop	400831
11	Latch Hinge	400834
14	Latch	400895
15	Bushing, Latch	700081
16	5/8" Shaft Collar	400856
18	Flat Washer, 5/8	001075
19	Extension Spring	400116
20	Mounting Bracket, Right	400824
21	Rubber Belting	401644
22	Nut, 5/16	000910
23	Lock Washer, 5/16	000810